



THIRD BRAKE LIGHT DUAL ANTENNA MOUNT

90201160 - Third Brake Light DUAL Antenna Mount



90201160

Fits the 2015-2025 Ford F-150 · 2017-2025
Raptor · 2017-2025 Super Duty · 2019-2025
Ranger and the 2022-2025 Maverick

INSTALLATION MANUAL

INTRODUCTION

Thank you for your purchase of our vehicle specific Third Brake Light DUAL Antenna Mount! We hope that you find the installation simple and straightforward. As our customer, your satisfaction is important to us, and for that reason we take pride in all of the products that we design and manufacture to ensure a reliable solution for years to come!

Pre-caution

Upon completing the installation of the Third Brake Light DUAL Antenna Mount the overall height clearance of the vehicle will have changed. Beware of your surroundings and heed all height restriction warnings as they pertain to your vehicle to avoid damage to the antenna, adapter or even vehicle.

Warranty

At Neal Technologies, Inc we know that if we don't take care of the customer, someone else will. That is why we strive to make each and every customer experience as wonderful as possible.

With regards to our Third Brake Light DUAL Antenna Mounts, we offer a 1-Year Parts-Only Warranty.

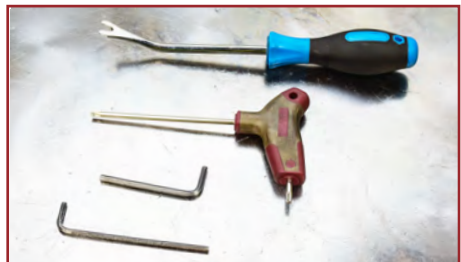
The limitations include:

- Parts-only, exchange-only warranty.
- Warranty is limited to defects in workmanship and materials.
- Shipping is NOT included with warranty returns.

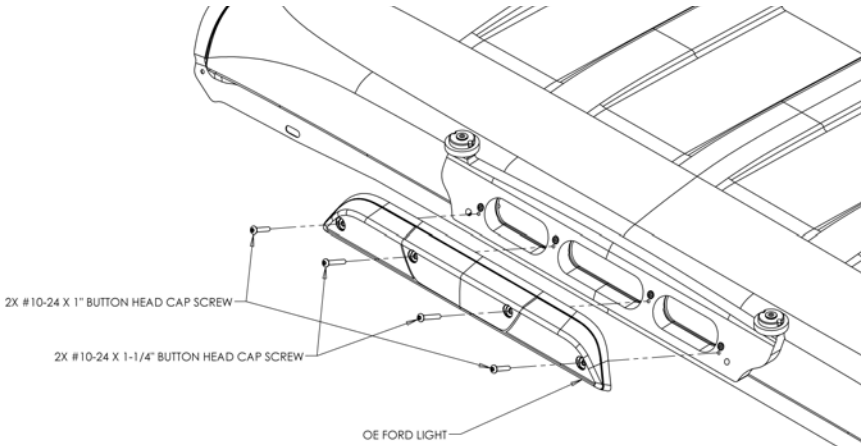
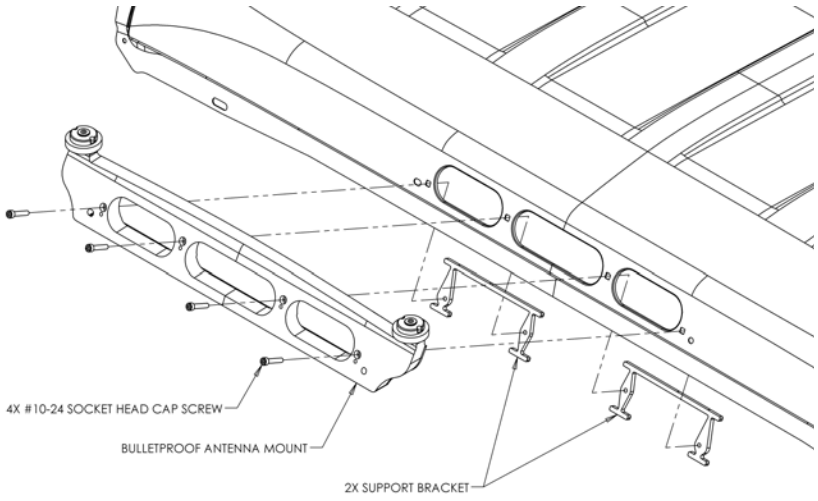
In the event that you might have a warranty claim, we will be happy to assist you. Please call before you take action. We want to track and properly handle any warranty claims. You will need to contact our team at 888-967-6653 or 480-247-2331 and we will help you with your options and return.

Tools needed for installation

- Torx Driver #20
- Allen Wrench; 5/32" & 1/8"
- Fastener removal tool



Parts List - 90201160



Description	Qty.
2015+ F150 DUAL ANTENNA MOUNT ASSEMBLY	1
2015+ F150 DUAL ANTENNA MOUNT SUPPORT BRACKET	2
#10-24 X 1" SOCKET HEAD CAP SCREW, 18-8 SS	4
#10-24 X 1" BUTTON HEAD CAP SCREW, 18-8 SS	2
#10-24 X 1-1/4" BUTTON HEAD CAP SCREW, 18-8 SS	2

INSTALLATION STEPS:

Step. 1 Make sure you have all the required tools you will need for installation.

TIP: Refer to page one (1) for tool list.

Step. 2 Remove the four (4) screws holding the light housing in place using the TORX driver and pull away from the cab.



Step. 3 Disconnect the light housing at the pigtail connector - not at the light. You may have to press down on a set of retaining clips to access the connector. Set aside the housing in a safe place for later.

Step. 4 Remove the four (4) plastic anchors as shown here.

TIP: We used the fastener removal tool.

NOTE: Save these in case you ever want to return to OE.





Step. 5 Feed the support bracket through the **right** hole of the adapter. Slide the support bracket behind the adapter **AND** the truck body then, match up the support bracket's **threaded holes** with the **OE holes** and antenna mount



holes. Use the provided socket cap screws to secure the support bracket in place.



Step. 6 Repeat step five (5) on the left side bracket.

Step. 7 Tighten all four (4) cap screws to ensure the support brackets are secure.

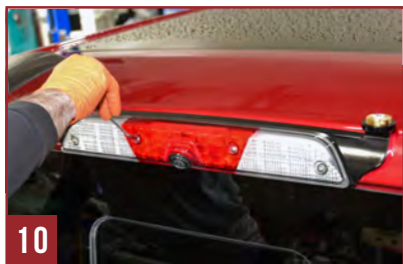


TIP: Label each cable prior to feeding into the cab so you know which cable goes to which antenna.

Step. 8 Feed the antenna cables into the cab to your desired location.

Step. 9 Reconnect the light housing in the reverse steps of the removal.





Step. 10 Re-install the light housing using the two (2) longer button head screws provided in the middle holes and the two (2) shorter button head screws in the outer holes. Once properly aligned, tighten all the screws.

TIP: DO NOT OVERTIGHTEN

Lastly - Attach desired NMO standard threaded antenna connectors and fasten the PL-259 male UHF connector to your compatible receiver.



ACCESSORIES



Billet NMO Rain
Cap - Round
BPD P/N 90201260



NMO Rain Cap
Plastic
BPD P/N 6000214



NMO to 3/8"
24 Adapter
BPD P/N 6000215



Ford Truck Antenna
Mount Cover Plate
2015 - 2025
BPD P/N 6000295



@bulletproofdest



480.247.2331 * 888.967.6653 * bulletproofdiesel.com

