



US00D891475S

(12) **United States Design Patent**
Neal et al.

(10) **Patent No.:** **US D891,475 S**
(45) **Date of Patent:** **** Jul. 28, 2020**

(54) **FAN CLUTCH ADAPTER**
(71) Applicant: **Neal Technologies Inc.**, Mesa, AZ (US)
(72) Inventors: **Kennieth Neal**, Mesa, AZ (US);
Douglass Gilbert, Plantation, FL (US)
(73) Assignee: **Neal Technologies, Inc.**, Mesa, AZ (US)
(**) Term: **15 Years**
(21) Appl. No.: **29/663,594**

5,957,147 A * 9/1999 Hubbell, Jr. F16L 35/00
137/15.18
D452,343 S * 12/2001 Pan D26/138
D464,253 S * 10/2002 Nimberger D10/60
(Continued)

OTHER PUBLICATIONS

Left Lane Diesels, How to: 6.0 Water Pump and 7.3 Fan Clutch Conversion!! [online], [site visited Apr. 15, 2020]. YouTube, URL: <www.youtube.com/watch?v=H_7qyffJ2mU> (Mar. 25, 2019) (Year: 2019).*

(Continued)

(22) Filed: **Sep. 17, 2018**
(51) **LOC (12) Cl.** **15-01**
(52) **U.S. Cl.**
USPC **D15/5; D8/387**
(58) **Field of Classification Search**
USPC D8/382-393; D10/60; D12/172, 220;
D15/5
CPC E21B 23/01; E21B 23/06; E21B 33/128;
E21B 33/129; E21B 33/1291-1292; F16D
25/126; F16D 57/0206; F16D 61/308;
F16D 63/005; F16D 63/3093; F16B 7/18;
F16B 7/0466; F16C 11/06; F16G 11/12;
Y10T 403/299; Y10T 403/32204; Y10T
403/32491
See application file for complete search history.

Primary Examiner — Sheryl Lane
Assistant Examiner — Mark T Philipps
(74) *Attorney, Agent, or Firm* — Hartman Titus PLC;
John D. Titus

(57) **CLAIM**

The ornamental design for a fan clutch adapter, as shown.

DESCRIPTION

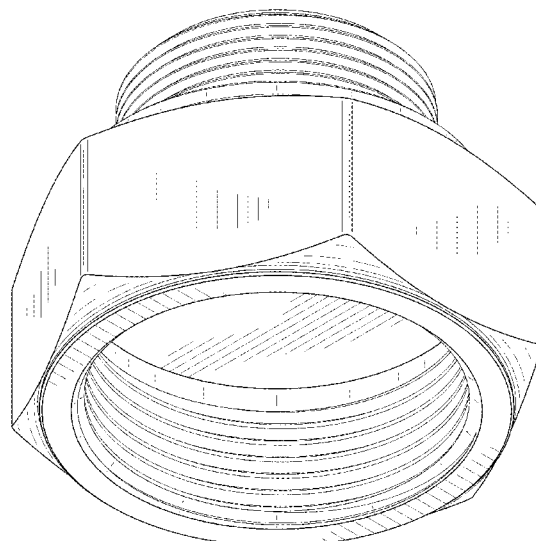
FIG. 1 is a top perspective view of a fan clutch adapter showing an embodiment of our new design;
FIG. 2 is a bottom perspective view of the fan clutch adapter shown in FIG. 1;
FIG. 3 is a top view of the fan clutch adapter shown in FIG. 1;
FIG. 4 is a bottom view of the fan clutch adapter shown in FIG. 1;
FIG. 5 is a front-side view of the fan clutch adapter shown in FIG. 1;
FIG. 6 is a back-side view of the fan clutch adapter shown in FIG. 1;
FIG. 7 is a left-side view of the fan clutch adapter shown in FIG. 1; and,
FIG. 8 is a right-side view of the fan clutch adapter shown in FIG. 1.

1 Claim, 8 Drawing Sheets

(56) **References Cited**

U.S. PATENT DOCUMENTS

D34,836 S * 7/1901 Barnes D8/397
D243,510 S * 3/1977 Shirey D23/316
D243,582 S * 3/1977 Shirey D23/316
D363,767 S * 10/1995 Swaim D23/260
5,762,671 A * 6/1998 Farrow B01D 35/306
55/496
D397,413 S * 8/1998 Sapp D23/262
5,788,440 A * 8/1998 Andronica F16B 37/125
248/58



(56)

References Cited

U.S. PATENT DOCUMENTS

6,923,082 B1 * 8/2005 Smith G01D 11/245
73/866.5
D543,259 S * 5/2007 Chueh D23/262
D589,786 S * 4/2009 Suehiro D8/387
D601,507 S * 10/2009 Rodrigues D13/133
D622,582 S * 8/2010 Lottner D8/387
D739,493 S * 9/2015 Wyne D23/200
D768,473 S * 10/2016 Manwaring D23/262
D789,998 S * 6/2017 Harder D15/138
D790,044 S * 6/2017 Li D23/262
D821,859 S * 7/2018 Artino D8/387
D834,679 S * 11/2018 Garcia, Jr. D22/108
2004/0057811 A1 * 3/2004 Kelzer B23Q 3/12
411/389
2008/0179883 A1 * 7/2008 Fullerton F16B 37/0857
285/330

OTHER PUBLICATIONS

Sold on Amazon, JGR-Mechanical-Adapter-2003-2007-Powerstroke [online], [site visted Apr. 15, 2020]. Amazon.com, URL: <<https://www.amazon.com/JGR-Mechanical-Adapter-2003-2007-Powerstroke/dp/B07ZNYX59S>> (Oct. 28, 2019) (Year: 2019).*

Bullet Proof Diesel, Bulletproof 7.3 to 6.0 Fan Clutch Adapter 03-07 6.0L Ford Powerstroke [Online], [site visited Apr. 15, 2020]. Bulletproof website, URL: <<https://www.dieselpowerproducts.com/p-19913-bulletproof-73-to-60-fan-clutch-adapter-03-07-601-ford-powerstroke.aspx>> (2020) (Year: 2020).*

Admitted Prior Art—undated photograph of prior version sold by applicant, which lacks the ornamental raised portion of the applied-for design.

* cited by examiner

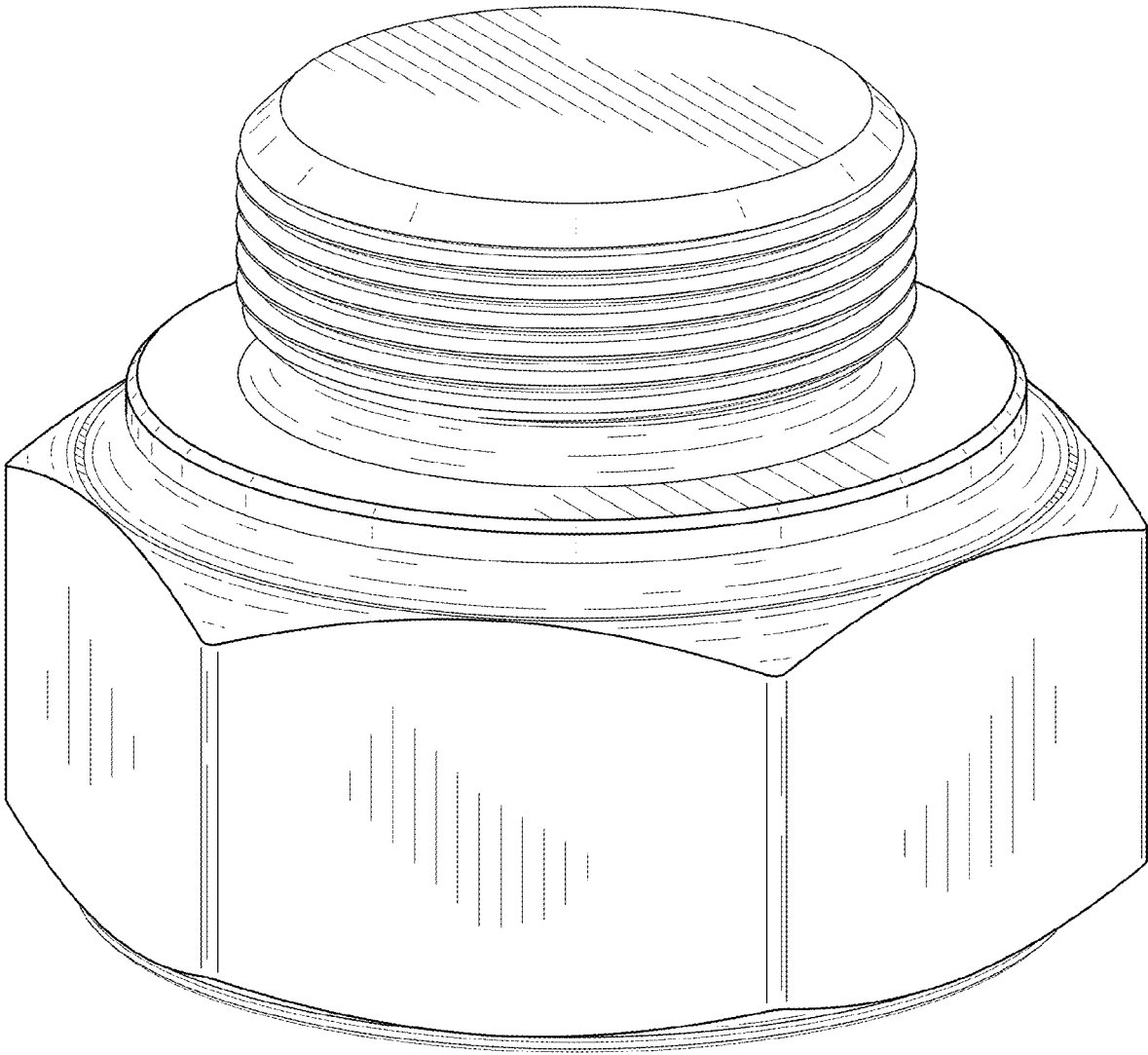


FIG. 1

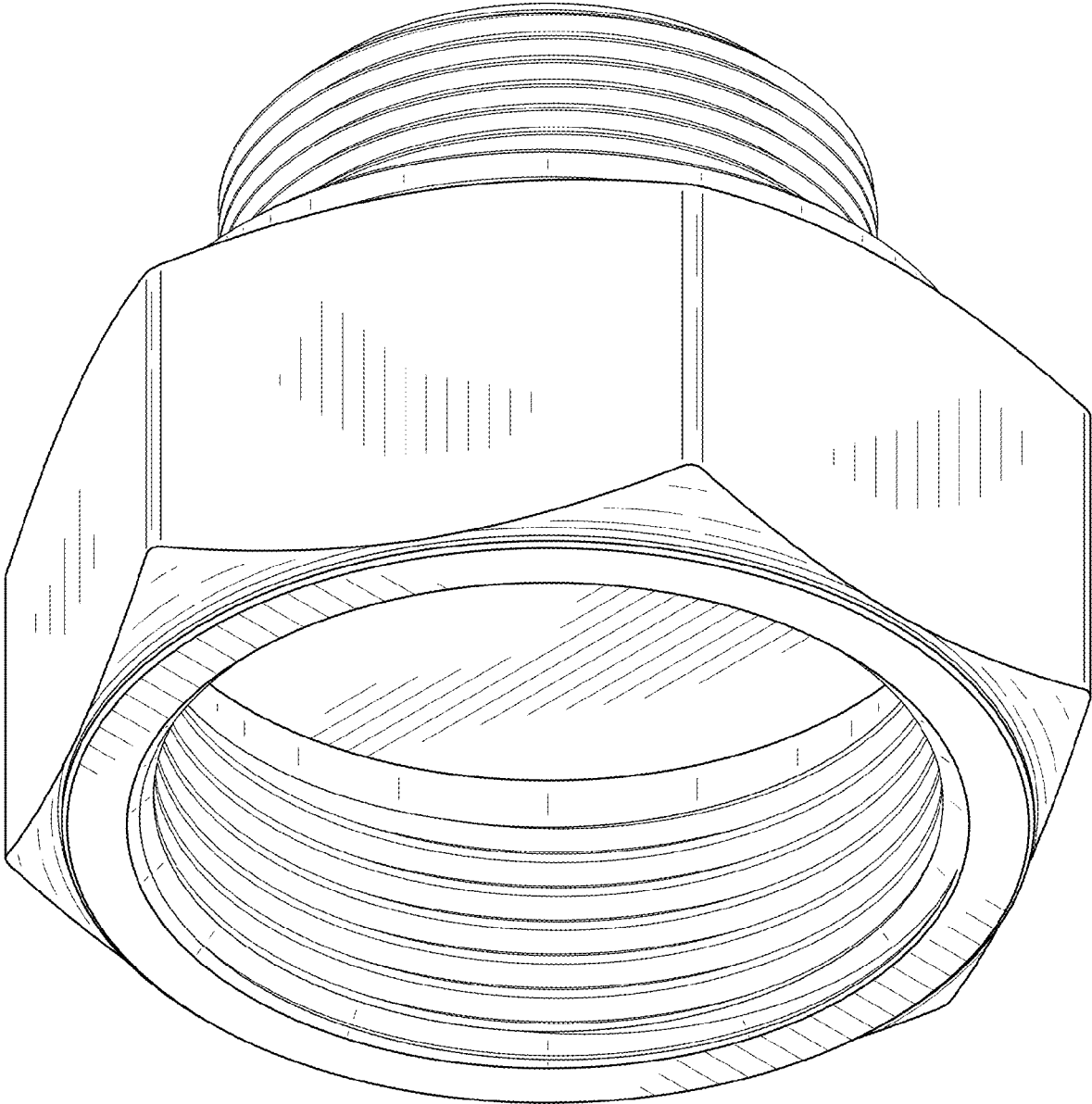


FIG. 2

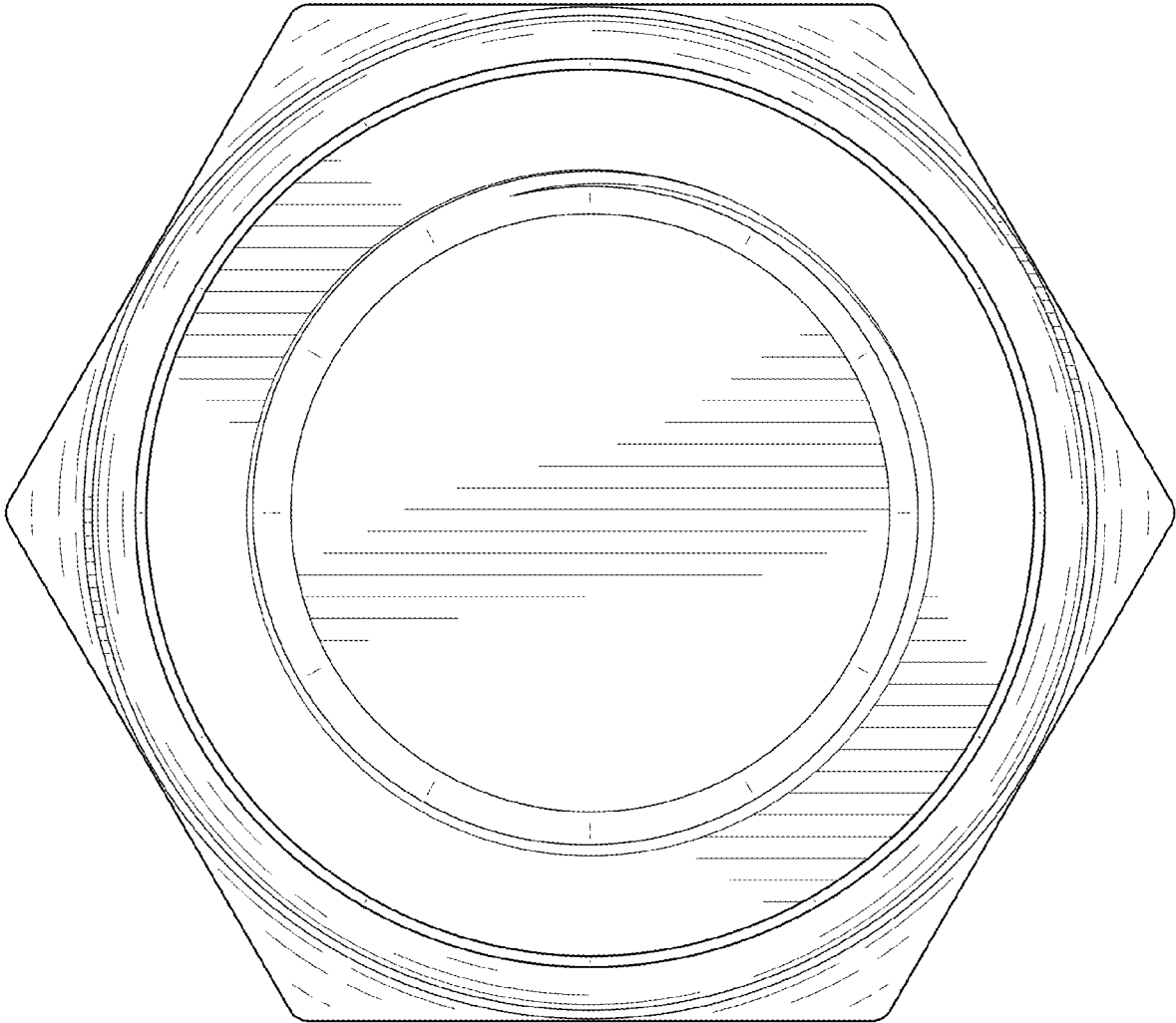


FIG. 3

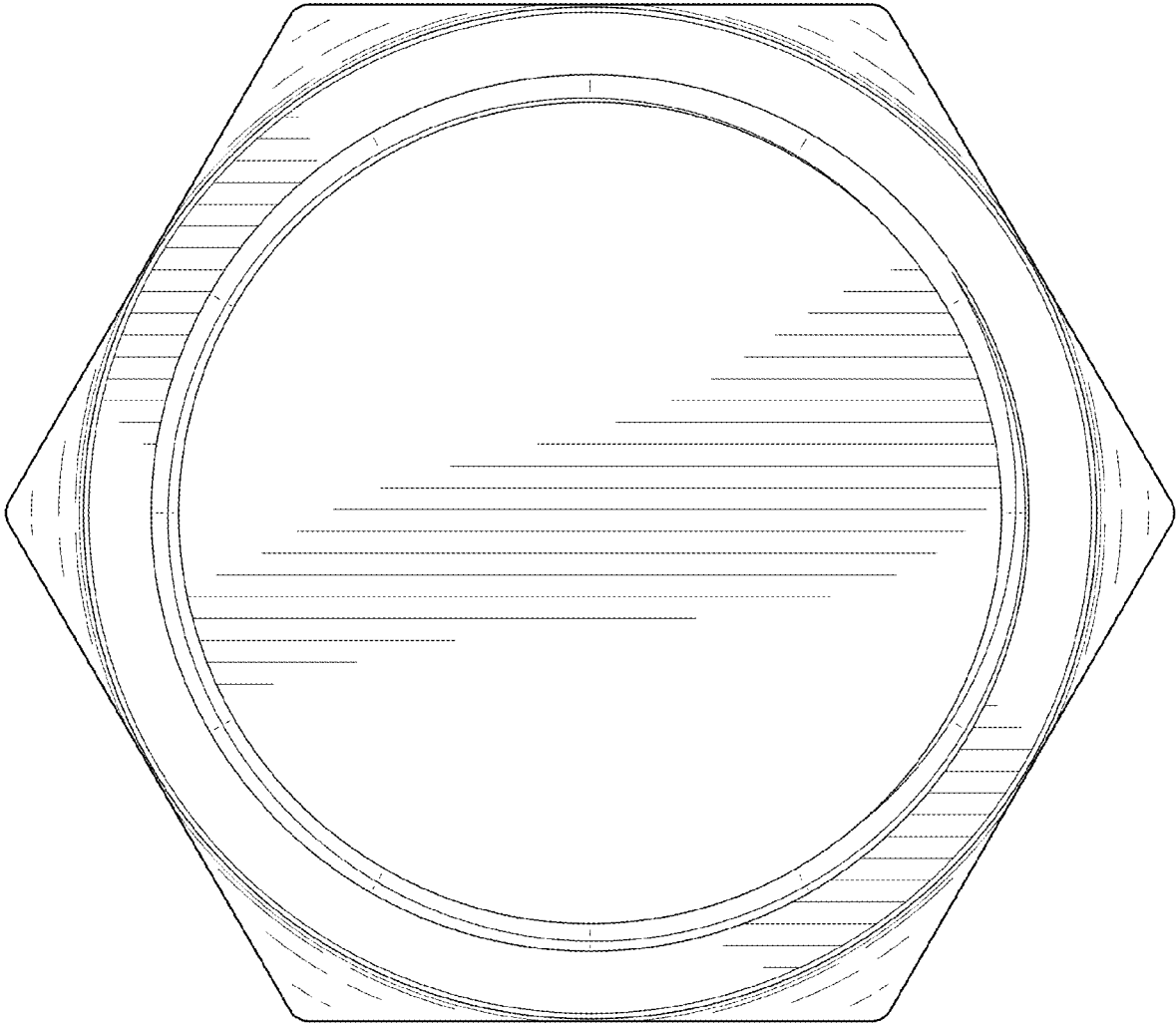


FIG. 4

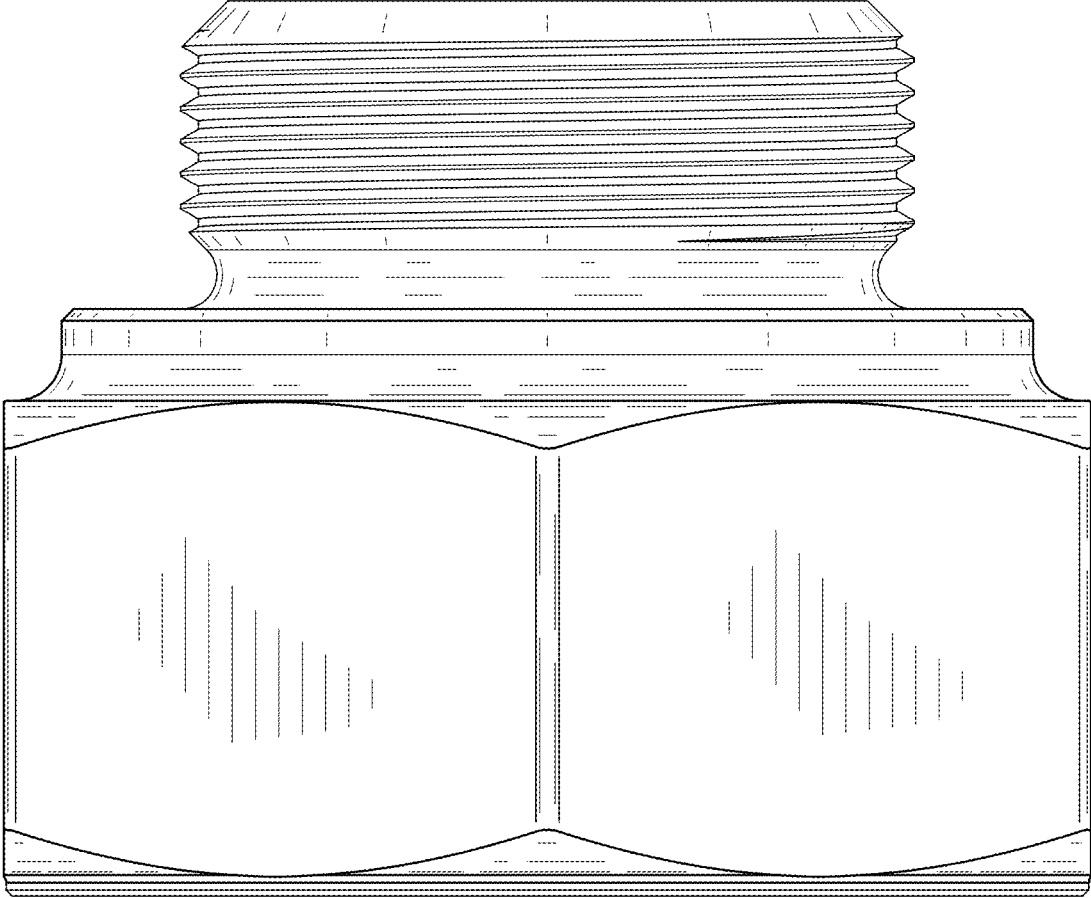


FIG. 5

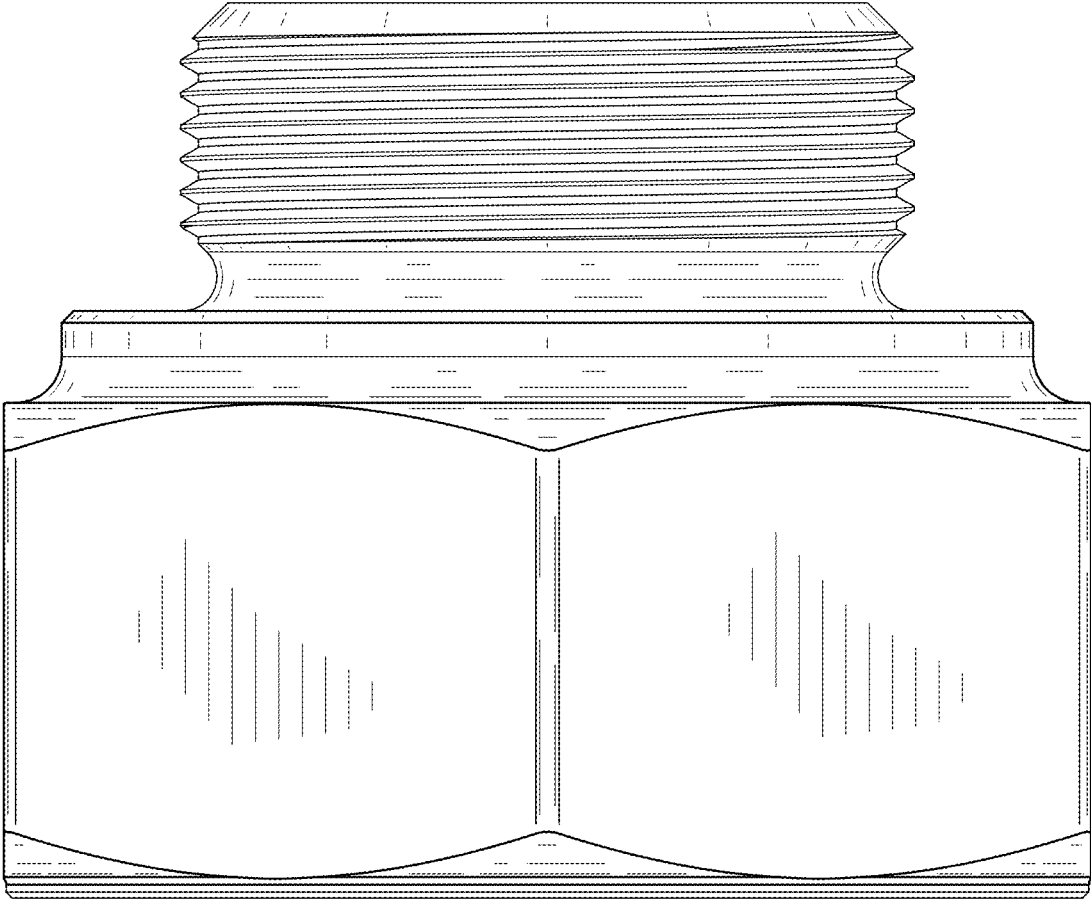


FIG. 6

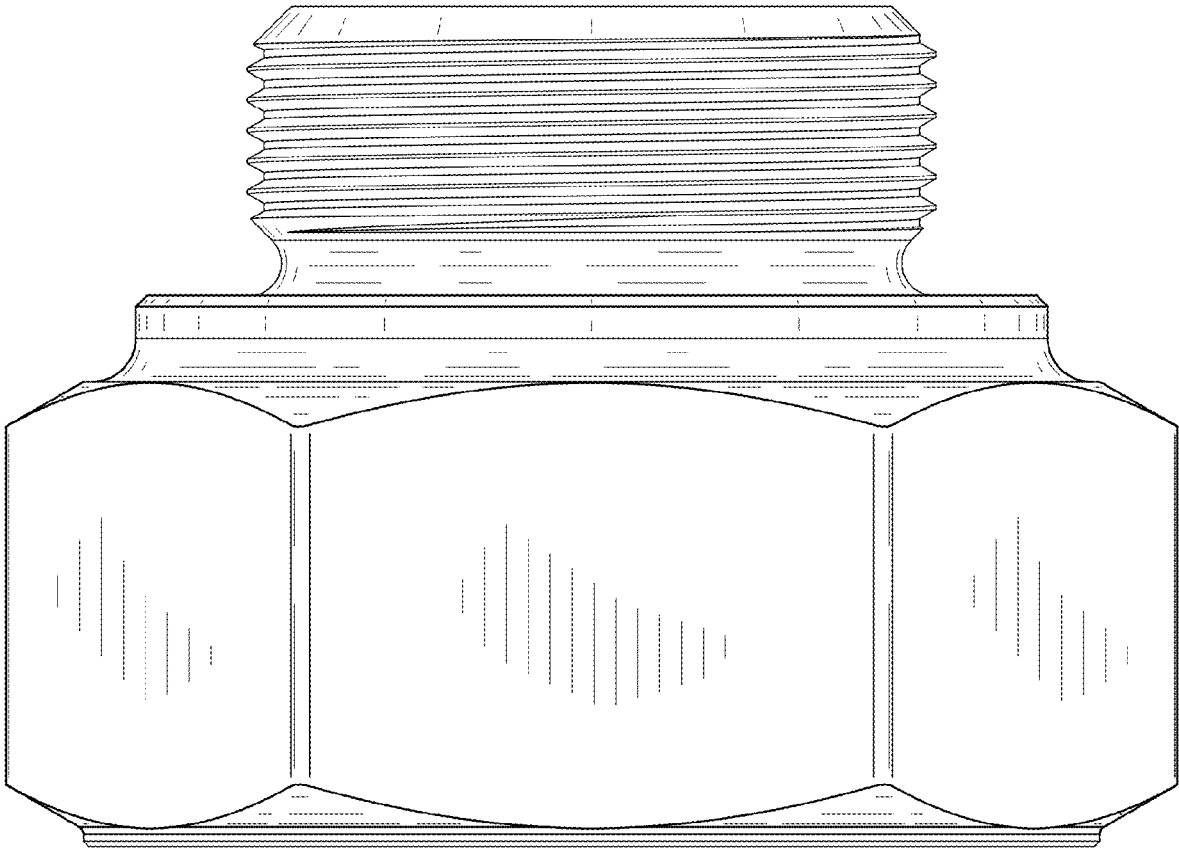


FIG. 7

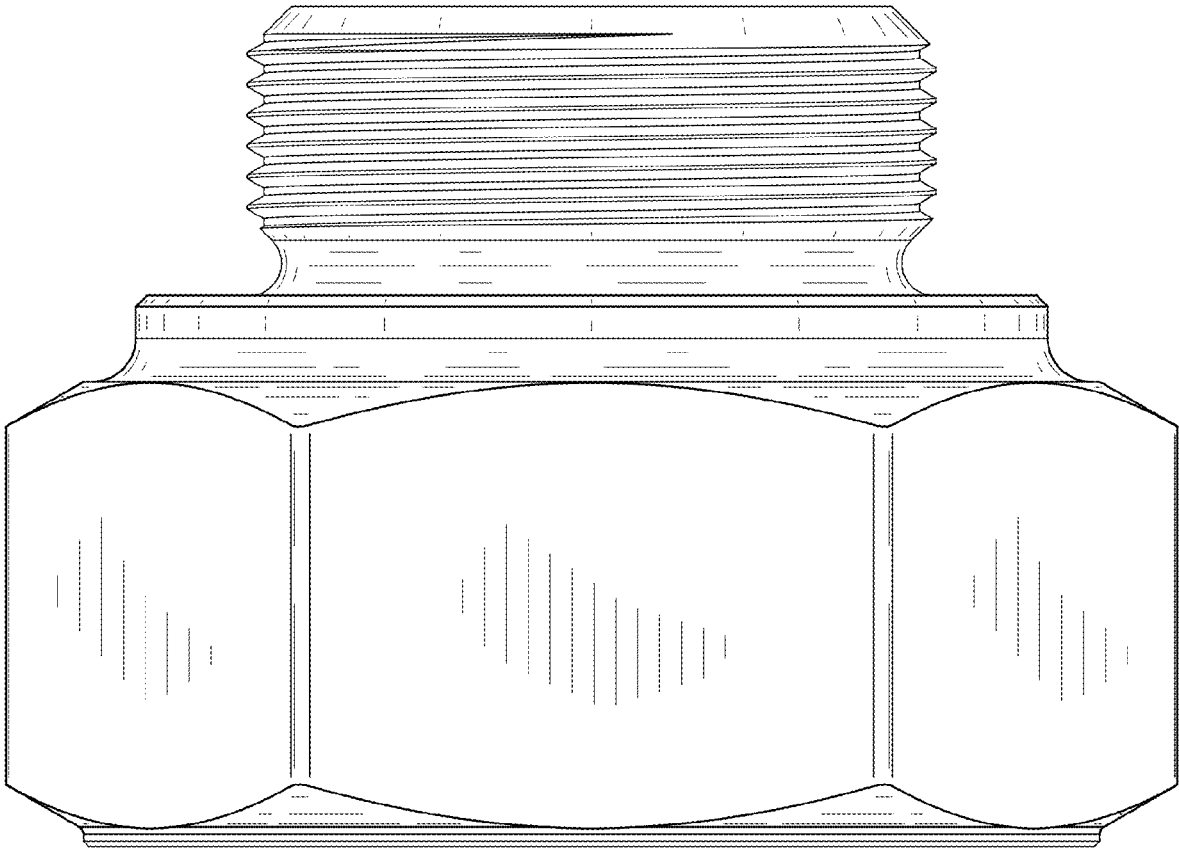


FIG. 8